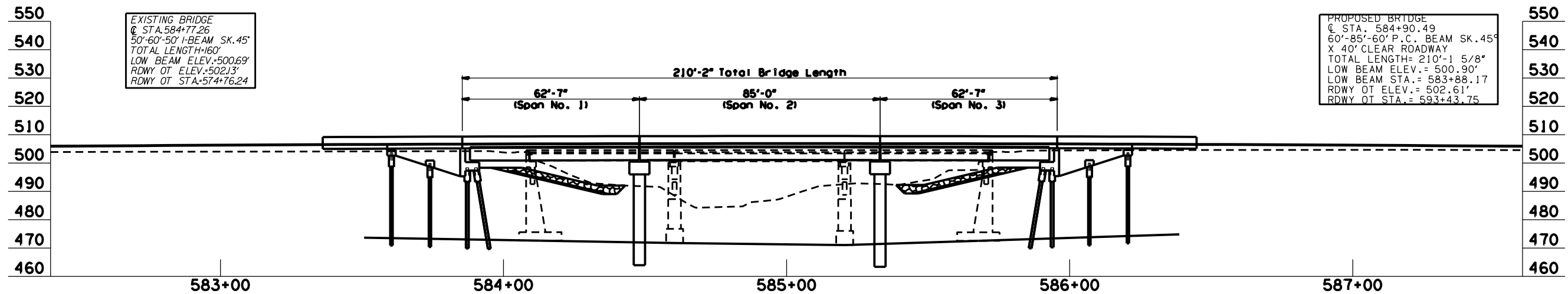
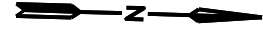
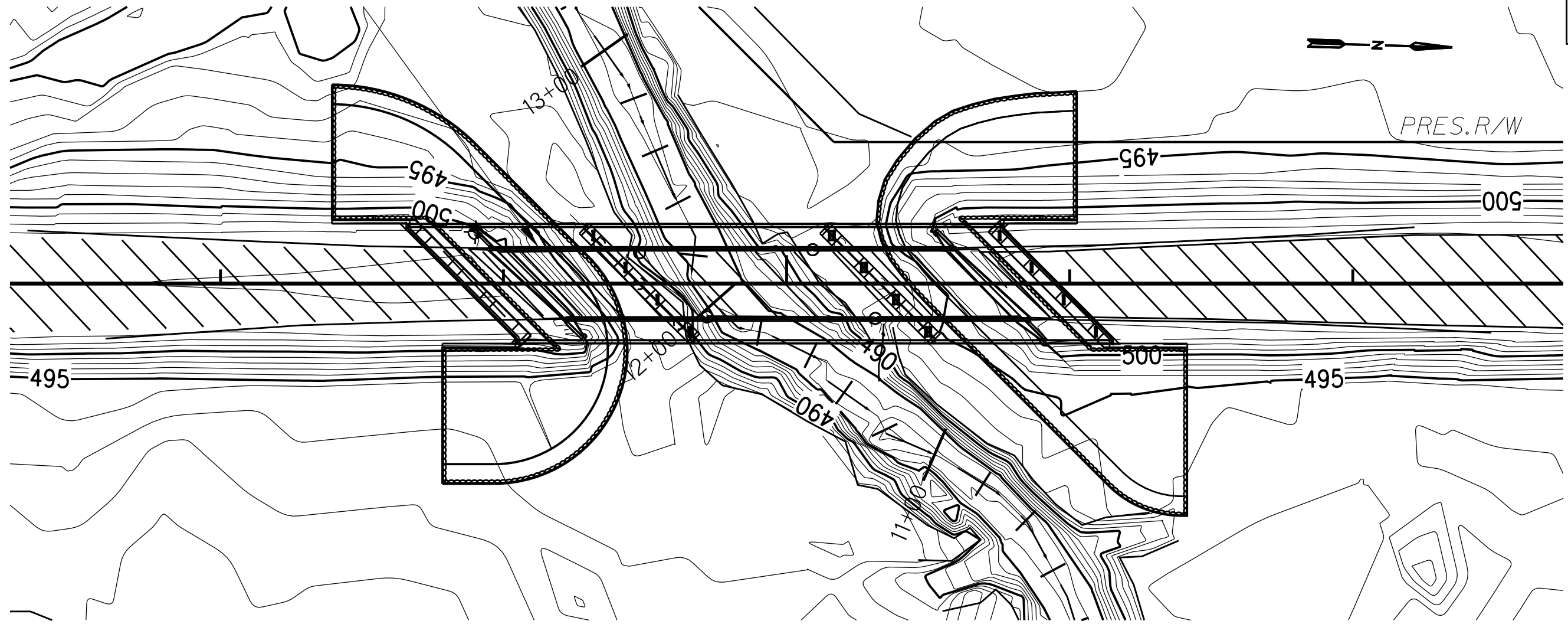


**PRELIMINARY  
PLANS**



EXISTING BRIDGE  
 @ STA. 584+77.26  
 50'-60'-50' I-BEAM SK. 45'  
 TOTAL LENGTH=160'  
 LOW BEAM ELEV.=500.69'  
 RDWY OT. ELEV.=502.13'  
 RDWY OT. STA.=574+76.24

PROPOSED BRIDGE  
 @ STA. 584+90.49  
 60'-85'-60' P.C. BEAM SK. 45'  
 X 40' CLEAR ROADWAY  
 TOTAL LENGTH= 210'-1 5/8"  
 LOW BEAM ELEV.= 500.90'  
 LOW BEAM STA.= 583+88.17  
 RDWY OT. ELEV.= 502.61'  
 RDWY OT. STA.= 593+43.75

SH-845 OVER WHISPERING CREEK BRIDGE "A"	COLE COUNTY	DESIGN	ARJ	12/12
		DETAIL	AET	12/12
GENERAL PLAN AND ELEVATION OPTION I (STEEL BEAMS)		CHECK	ABO	12/13
		YOUR COMPANY		
STATE OF OKLAHOMA	DEPARTMENT OF TRANSPORTATION			
JOB PIECE NO. 46020104		SHEET NO. 1		